

# HUSHGAZE

Station Screens



THE  
ACOUSTICS  
COMPANY



## PRODUCT INFO

HushGaze is a front desk screen that exudes elegance and delivers exceptional acoustic performance, ensuring a focused and tranquil working environment.

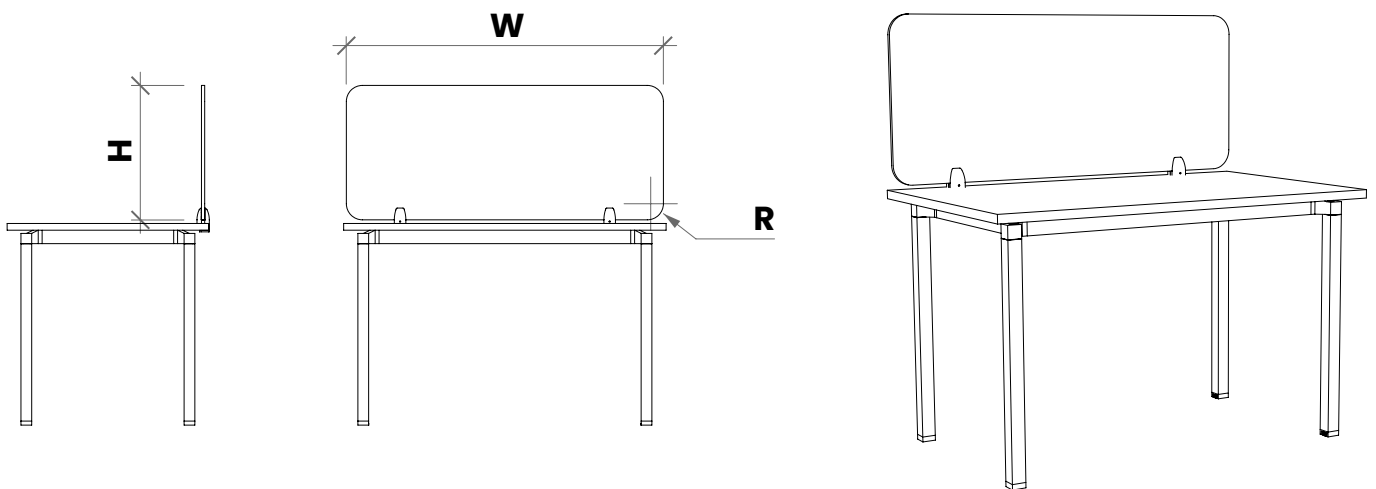
Designed for easy installation, this sleek screen effortlessly clamps onto your desk, providing instant privacy and noise reduction.

## FEATURES

- Front desk screen made from 12mm recycled PET Panel.
- Available in our collection of 30 vibrant colours.
- Durable, flexible, non-combustible, and easy to customize onsite.
- Great absorptive properties to reduce reverberation.
- Effective sound barrier for increase focus and productivity.
- Easy to install with a desk clamp system.



## SIZES



### HEIGHT (H)

385mm  
500mm

### WIDTH (W)

1180mm  
1380mm  
1580mm

### RADIUS (R)

60mm

### PRODUCT

HushGaze

### ARTICLE

05WPSSC-HGZ000

### DIMENSION

Modular dimension as shown

### THICKNESS

12mm

# MATERIAL INFORMATION

<b>COMPOSITION:</b>	75% Recycled PET Fibre   25% Virgin Fibre
<b>FIRE RATING:</b>	EN13501-1:2007+A1:2009 B - S1, D0
<b>DENSITY:</b>	2.4kg/m <sup>2</sup> (12mm) / 3.8kg/m <sup>2</sup> (24mm)
<b>ACOUSTICS:</b>	Class A, C, and D Absorber

\*Our Alpha panels have a cutting tolerance of +- 3mm



## FINISHES

HushGaze is made with high quality recycled PET panels. The selection has different colours that would compliment any interior space and concept. Please refer to the QR codes below:



**Finishes**  
Scan the code or visit  
[acousticscompany.com/Finishes](https://acousticscompany.com/Finishes)

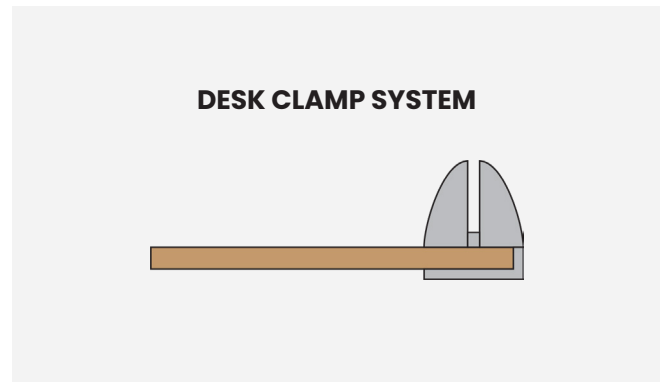


**Alpha Finishes**  
Scan the code or visit  
[acousticscompany.com/Finishes/Alpha-finishes](https://acousticscompany.com/Finishes/Alpha-finishes)

## INSTALLATION

The Acoustics Company cater for all project budgets and have multiple ways to install a product.

HushGaze station screen can be installed using the following method:



## DESIGN TIPS

**These are just some design tips you can do in order to maximize the full potential of our HushGaze product:**

1. HushGaze is best suited for open-plan spaces.
2. Choose colour that compliments the interior of the room.
3. Customize layout and positioning onsite. The easy install feature give you the best option to experiment any creative layout concept.
4. HushGaze is best partnered with HushPeek to create a full modular workstation sanctuary.

# ACOUSTIC PERFORMANCE

The acoustic performance of materials refers to their ability to absorb, reflect, or transmit sound waves. This concept is crucial in architecture, interior design, and engineering, as it determines how sound behaves in a space. Materials with good acoustic performance can reduce noise levels, improve speech intelligibility, and create more comfortable and functional environments by controlling reverberation and sound transmission.

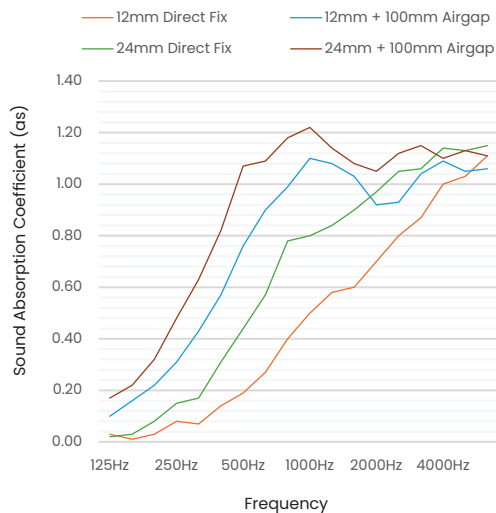
## TESTING STANDARDS

<b>ISO 354</b>	Measurement of sound absorption in a reverberation room
<b>ISO 11654</b>	Sound absorbers for use in buildings – Rating of sound absorption
<b>ASTM C423-17</b>	Standard Test Method for Sound Absorption and Sound Absorption Coefficients by the Reverberation Room Method
<b>ACOUSTICS:</b>	Sound absorbers for use in buildings – Rating of sound absorption

ACOUSTICALLY TESTED	$\alpha_w$	NRC	CLASS
12mm Direct Fix	0.35(H)	0.45	D
12mm + 75mm Airgap	0.75(MH)	0.85	C
24mm Direct Fix	0.50(MH)	0.65	D
24mm + 75mm Airgap	0.90	1.00	A

For  $\alpha_w$ , it is strongly recommended to use this single- number rating in combination with the complete sound absorption curve that can be obtained on request

FREQUENCY (Hz)	125	250	500	1000	2000	4000
12mm Direct Fix	0.00	0.10	0.30	0.55	0.80	1.00
12mm + 75mm Airgap	0.15	0.45	0.85	1.00	1.00	1.00
24mm Direct Fix	0.05	0.20	0.60	0.85	1.00	1.00
24mm + 75mm Airgap	0.25	0.60	1.00	1.00	1.00	1.00



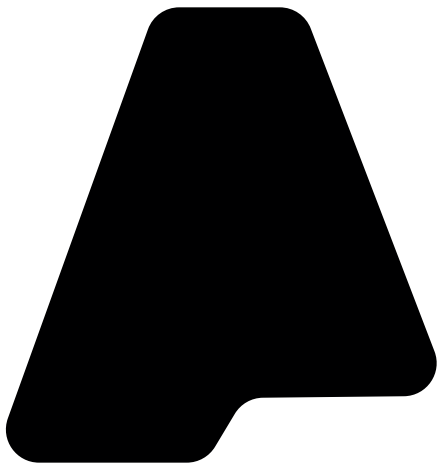
Weighted Sound Absorption Coefficient ( $\alpha_w$ ) - Measured in accordance with ISO 11654. Practical sound absorption coefficient  $\alpha_p$  values at given standard frequencies are compared with reference curve  $\alpha_w$ .

Noise Reduction Coefficient (NRC) - The mean average as value at frequencies 250, 500, 1000 and 2000 Hz.

Absorption Class - Levels of comparison of absorption values against a reference curve with A as highest and E as lowest. Measured in accordance with ISO 11654.

Practical Sound Absorption Coefficient ( $\alpha_p$ ) - The average of the three as values centered on the 1/3 octave band center frequency, measured in accordance with EN ISO 354.

Note: The sound absorption values provided in this product sheet are subject to change without prior notice from The Acoustics Company. For the most current and accurate technical specifications, please contact our Sales Team directly.



# THE ACOUSTICS COMPANY



 [www.acousticpanels.co.uk](http://www.acousticpanels.co.uk)    @theacousticscompany

#ResonateBliss