

SONAHALF

Station Screens



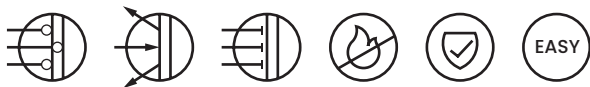


PRODUCT INFO

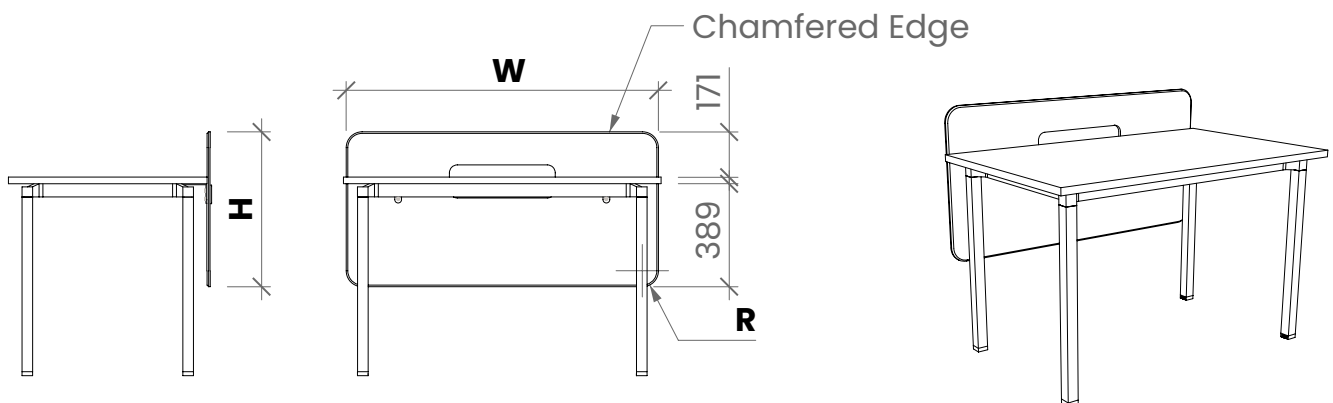
SonaHalf is a classic half-frontal table screen that strikes the perfect balance between form and function. Standing tall at 585mm with customizable widths, it is designed to seamlessly enhance your desk environment. Usually fixed in front of your table, it creates a focused oasis, shielding you from distractions with its acoustic prowess.

FEATURES

- Half-frontal table screen made from 12mm recycled PET Panel.
- Available in our collection of 24 vibrant colours.
- Durable, flexible, non-combustible, and easy to customize onsite.
- Great absorptive properties to reduce reverberation.
- Effective sound barrier for increase focus and productivity.
- Easy to install with a desk clamp system.



SIZES



HEIGHT (H)

385mm
500mm

WIDTH (W)

1180mm
1500mm
1800mm

RADIUS (R)

60mm

PRODUCT	ARTICLE	DIMENSION	THICKNESS
HushPeek	05WPSSC-SHF000	Modular dimension as shown	12mm

MATERIAL INFORMATION

COMPOSITION:	75% Recycled PET Fibre 25% Virgin Fibre
FIRE RATING:	EN13501-1:2007+A1:2009 B - S1, D0
DENSITY:	2.4kg/m ² (12mm) / 3.8kg/m ² (24mm)
ACOUSTICS:	Class A, C, and D Absorber

*Our Alpha panels have a cutting tolerance of +- 3mm



FINISHES

SonaHalf is made with high quality recycled PET panels. The selection has different colours that would compliment any interior space and concept. Please refer to the QR codes below:



Finishes
Scan the code or visit
acousticscompany.com/Finishes

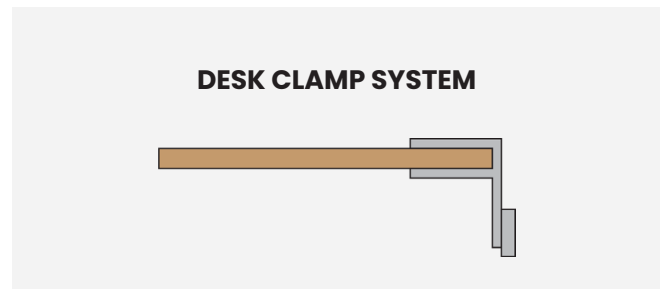


Alpha Finishes
Scan the code or visit
acousticscompany.com/Finishes/Alpha-finishes

INSTALLATION

The Acoustics Company cater for all project budgets and have multiple ways to install a product.

SonaHalf station screen can be installed using the following method:



DESIGN TIPS

These are just some design tips you can do in order to maximize the full potential of our SonaHalf product:

1. SonaHalf is good for medium offices that needs focus.
2. SonaHalf is best suited for single workstations in an open office setup.
3. Choose colour that compliments the interior of the room.
4. Make sure to strategically position wirings and use SonaHalf's dedicated wiring slot for a cleaner look.

ACOUSTIC PERFORMANCE

The acoustic performance of materials refers to their ability to absorb, reflect, or transmit sound waves. This concept is crucial in architecture, interior design, and engineering, as it determines how sound behaves in a space. Materials with good acoustic performance can reduce noise levels, improve speech intelligibility, and create more comfortable and functional environments by controlling reverberation and sound transmission.

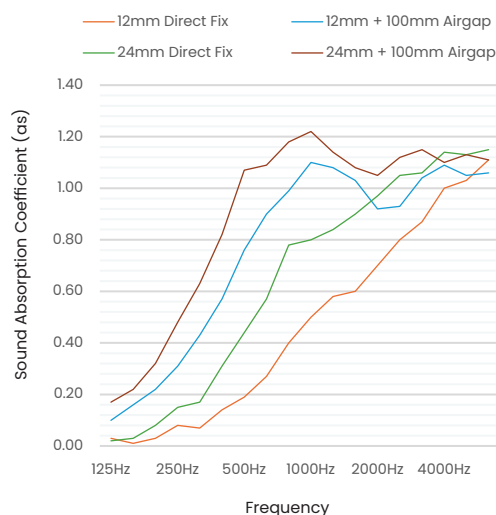
TESTING STANDARDS

ISO 354	Measurement of sound absorption in a reverberation room
ISO 11654	Sound absorbers for use in buildings – Rating of sound absorption
ASTM C423-17	Standard Test Method for Sound Absorption and Sound Absorption Coefficients by the Reverberation Room Method
ACOUSTICS:	Sound absorbers for use in buildings – Rating of sound absorption

ACOUSTICALLY TESTED	aw	NRC	CLASS
12mm Direct Fix	0.35(H)	0.45	D
12mm + 75mm Airgap	0.75(MH)	0.85	C
24mm Direct Fix	0.50(MH)	0.65	D
24mm + 75mm Airgap	0.90	1.00	A

For aw, it is strongly recommended to use this single- number rating in combination with the complete sound absorption curve that can be obtained on request

FREQUENCY (Hz)	125	250	500	1000	2000	4000
12mm Direct Fix	0.00	0.10	0.30	0.55	0.80	1.00
12mm + 75mm Airgap	0.15	0.45	0.85	1.00	1.00	1.00
24mm Direct Fix	0.05	0.20	0.60	0.85	1.00	1.00
24mm + 75mm Airgap	0.25	0.60	1.00	1.00	1.00	1.00



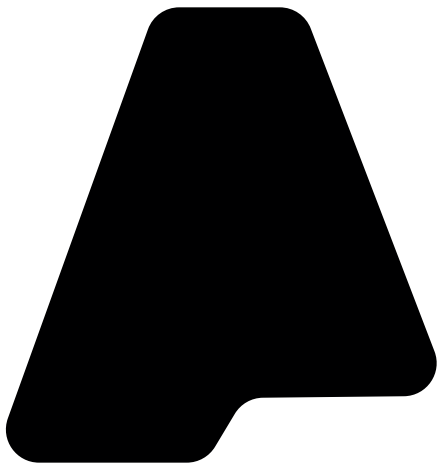
Weighted Sound Absorption Coefficient (aw) - Measured in accordance with ISO 11654. Practical sound absorption coefficient ap values at given standard frequencies are compared with reference curve aw.

Noise Reduction Coefficient (NRC) - The mean average as value at frequencies 250, 500, 1000 and 2000 Hz.

Absorption Class - Levels of comparison of absorption values against a reference curve with A as highest and E as lowest. Measured in accordance with ISO 11654.

Practical Sound Absorption Coefficient (ap) - The average of the three as values centered on the 1/3 octave band center frequency, measured in accordance with EN ISO 354.

Note: The sound absorption values provided in this product sheet are subject to change without prior notice from The Acoustics Company. For the most current and accurate technical specifications, please contact our Sales Team directly.



THE ACOUSTICS COMPANY



 www.acousticpanels.co.uk    @theacousticscompany

#ResonateBliss